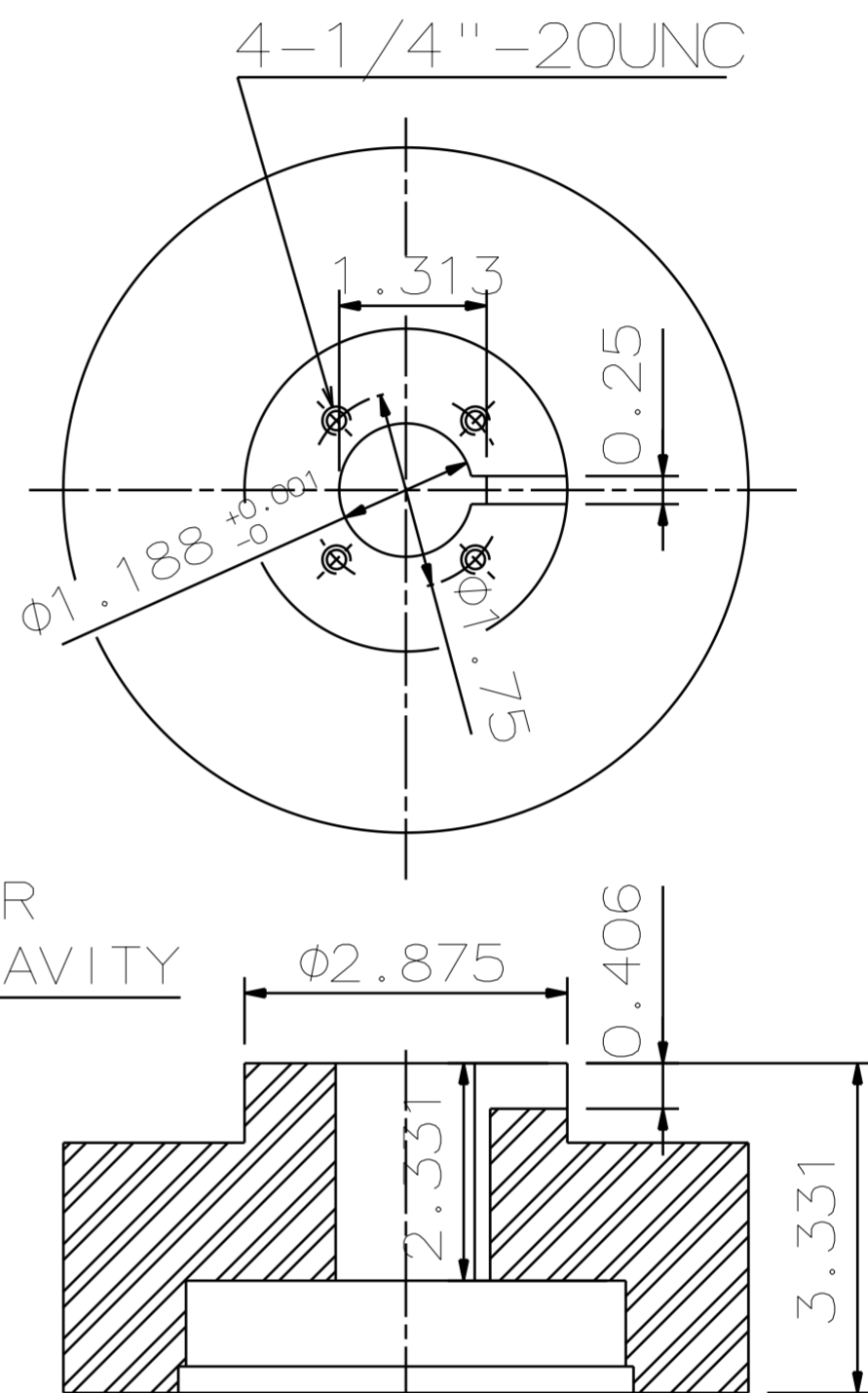
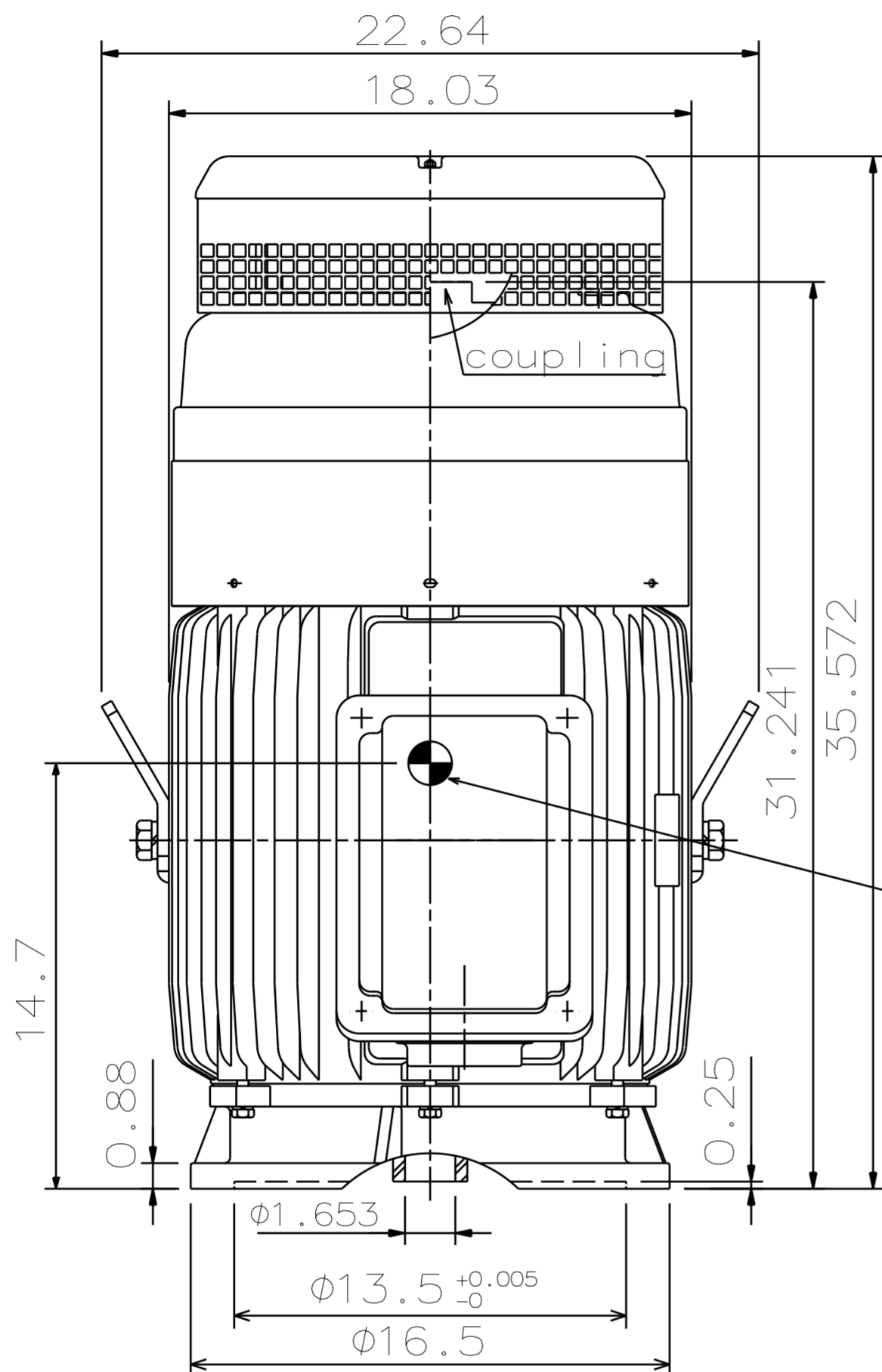


CATALOG NUMBER: VHTP0754	OUTLINE DIMENSIONS 3-PHASE INDUCTION MOTOR	MOTOR TYPE: AEEHNH
DATE OCT-03-2017		FRAME NO. 365TP

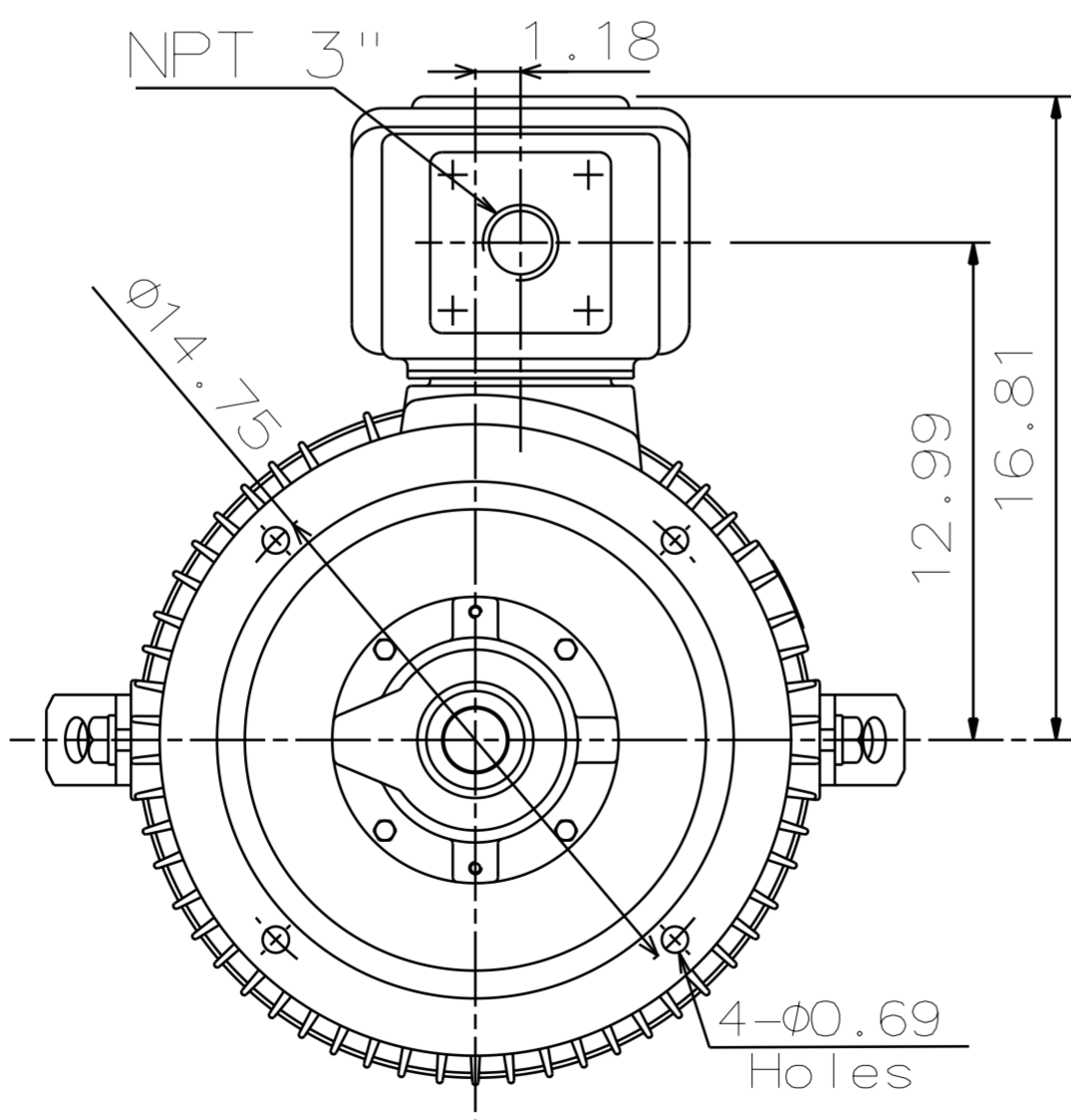
Pole	HP	kW	Hz	VOLT	r/min
4	75	55	60	230/460	1800

Ins	Rating	Dimension in	Approx Weight	Bearings
F	CONT.	inches	1188 LBS	DE: 6313C3 NDE: 7318BE

Totally Enclosed Fan Cooled Vertical Type. Squirrel-cage Rotor.



Coupling Dimension



Note:

1. IP44 Protection.
2. Rotation: C.C.W. (View from top)
3. With Ball Type N.R.R.
4. Down Thrust: 6600lbs. (L10: 8800hrs)
5. Space Heater Rated At 120 volts. Leads Terminate In The Main Lead Box.
6. Reed Critical Frequency: 62.5 Hz.

1BG1700011-04-00

--	--	--

DWG.		02.07.17		DWG NO.	31057A634210
CHKD.		02.08.17			
APPD.		02.08.17			